

SANDWICH UNIT REFRIGERATOR

Product Specifications

SW60-24M - Mighty Top

10" Deep Nylon Cutting Board

For drawer model, add suffix 'D'

Models available with field rehingeable doors or optional drawers.
Unique air flow distribution allows pan product to maintain 33° - 41°F.
Non-recessed pans standard on all models.

Designed to maintain NSF-7 temperatures in 100°F ambient.



DIMENSIONAL DATA

Net Capacity (cu. ft.)	17 (481 cu l)
1/6 Size Pans (4" deep)	24
Width, Overall (in.)	60 (1524 mm)
Depth, Overall (incl. handles & bumpers) (in.)	35 (889 mm)
Depth, Cabinet Only (less doors) (in.)	27½ (699 mm)
Depth, Cutting Board (in.)	10 (254 mm)
Height, Overall (incl. 5" casters) (in.)	42¼ (1073 mm)
No. of Shelves	2
Shelf Area (sq. ft.)	8.1 (.7 sq m)
No. of Doors	2

REFRIGERANT DATA

Condensing Unit Size (H.P.)	¼
Capacity (BTU/Hr)*	1940

ELECTRICAL DATA

Cabinet	115/60/1
Amps	8.2
No. of Fans	3

SHIPPING DATA

Weight (lbs.)	330 (150 kg)
Height (in.)	43¼ (1099 mm)
Length (in.)	68¼ (1734 mm)
Depth (in.)	46 (1168 mm)

* Rating @ +25°F evaporator, 90°F ambient
Figures in parentheses reflect metric equivalents.

OPTIONS AND ACCESSORIES

- | | |
|---|--------------------------|
| • Stainless steel exterior, back, end panels and interior | • Drawers |
| • Overshelves (single or double) | • Stainless steel legs |
| • Electric condensate | • Door locks |
| • Expansion valve system | • Pan opening sizes |
| • Remote models | • Front breathing models |
| • Crumb catcher | • Cylinder locks |

Continental
Refrigerator

Toll-Free: 800-523-7138
Phone: 215-244-1400

539 Dunksferry Road
Bensalem, PA 19020
www.continentalrefrigerator.com

Project Name:

Model Specified:

Location:

Item No:

Quantity:

APPROVAL:

Standard Design Features

REFRIGERATION SYSTEM

Environmentally-safe R-134a refrigerant

Easily serviceable back mounted compressor

Non-corrosive, plasticized fin evaporator coil

CABINET ARCHITECTURE

2" non-CFC polyurethane foam insulation

5" casters (two with brakes, two without)

Stainless steel front and top, aluminum end panels, case back and interior

Spring loaded, self-closing doors

(2) Field rehingeable doors

Magnetic snap-in door gaskets

Heavy-duty epoxy-coated steel shelves

Completely enclosed, vented and removeable case back

MODEL FEATURES

Interior hanging thermometer

Automatic, energy-saving, non-electric condensate evaporator

Insulated lids

Full length, 10" deep nylon cutting board

(24) 1/6 size, 4" deep non-recessed pans

ELECTRICAL

Completely pre-wired at factory for connection to 115/60/1 phase, 15 amp dedicated outlet

10 ft. cord and plug set included, 90° with NEMA

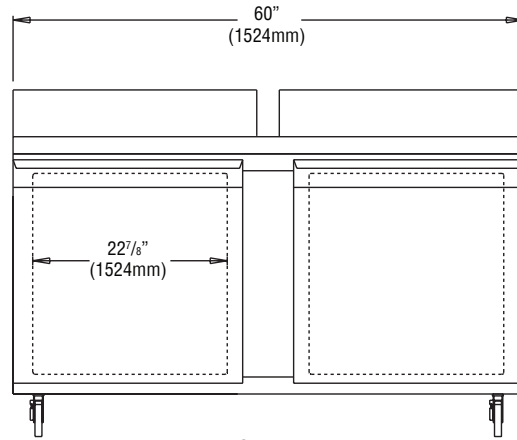


Equipped with one NEMA-5-15P Plug

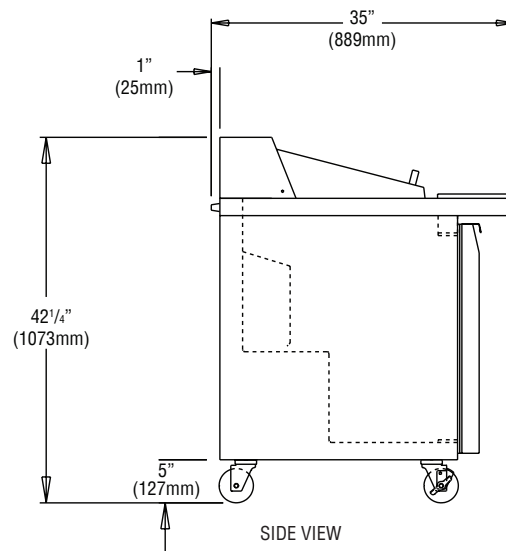
SANDWICH UNIT REFRIGERATOR

SW60-24M - Mighty Top Model Blueprint

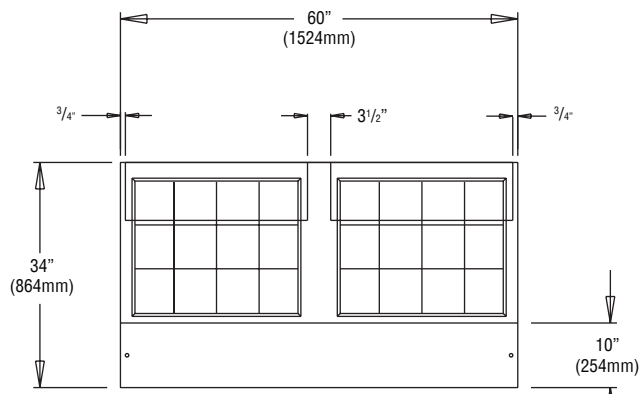
10" Deep Nylon Cutting Board



FRONT VIEW



SIDE VIEW



PAN TOP SW60-24M

1 YEAR
WARRANTY
ON PARTS

This Continental Refrigerator product is warranted to be free from all manufacturing defects, material or workmanship, for a period of one (1) year from date of original installation, or fifteen (15) months from date of shipment, whichever occurs first. All motor-compressor assemblies are warranted to be free from defects, material and workmanship, for a period of five (5) years from date of installation.

5 YEAR
WARRANTY
COMPRESSOR

Due to our continued efforts in developing innovative products, specifications subject to change without notice. Markings below may not apply to all models or variations of models.



© Copyright 2010. Continental Refrigerator.
A Division of National Refrigeration & Air Conditioning Products, Inc.

Continental
Refrigerator

Toll-Free: 800-523-7138
Phone: 215-244-1400

539 Dunksferry Road
Bensalem, PA 19020
www.continentalrefrigerator.com

SW60-24M (09/10)